

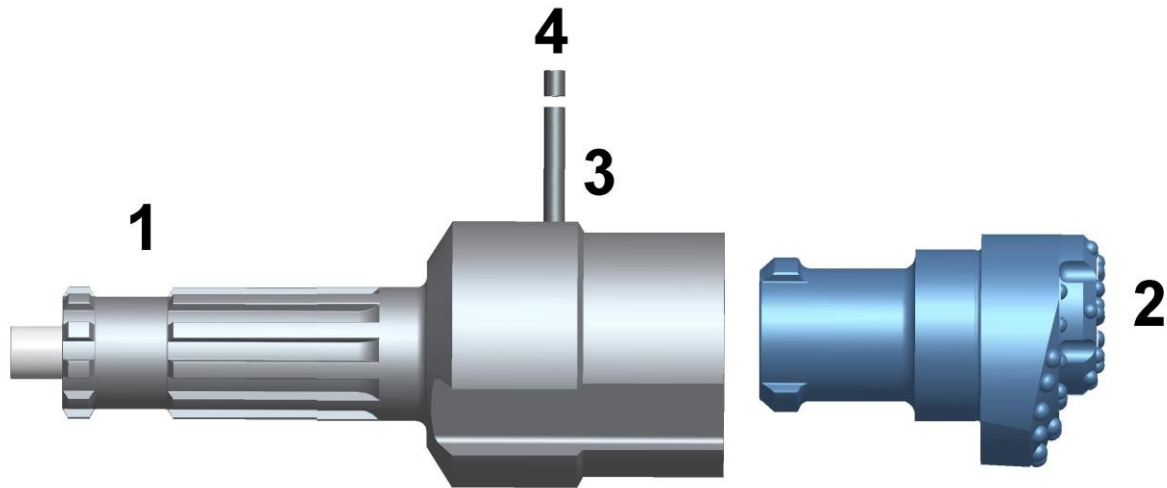
PITUMEC

THE PES 230 ECCENTRIC UNDERREAMING SYSTEM



CASING SIZE 273MM OD X 253MM ID DRILLING DIA. 290MM

PNEUMEC PES 230 ECCENTRIC UNDERREAMING SYSTEM



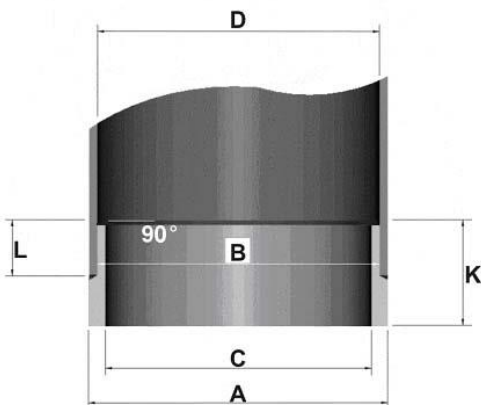
PES 230 PARTS LIST

1.	GUIDE DEVICE DHD380 SHANK	UGD230380PES
2.	ECCENTRIC BIT	UPB230PES
3.	LOCKING PIN	USP23050PES
4.	SPLIT PIN	USP23051PES
5.	COMPLETE SYSTEM	UCS230380PES

PES 230 SPECIFICATIONS

UPPER BODY DIAMETER	250MM	CLOSED DIAMETER	230MM
REAMING DIAMETER	290MM	CASING SIZE	273MM OD X 253MM ID
SYSTEM LENGTH	730MM	SYSTEM WEIGHT	150KG

PES 230 CASING SHOES



DIA. A	273MM
DIA. B	250MM
DIA. C	233MM
DIA. D	253MM
L	71MM
K	115MM



PNEUMEC COMPANY LIMITED

1st Floor, Tin On Sing Comm. Bldg., 41-43 Graham St. Central, H.K.

Tel : (852) 2180 9922

Fax : (852) 2180 9982

Website : www.pneumec.com

email : info@pneumec.com